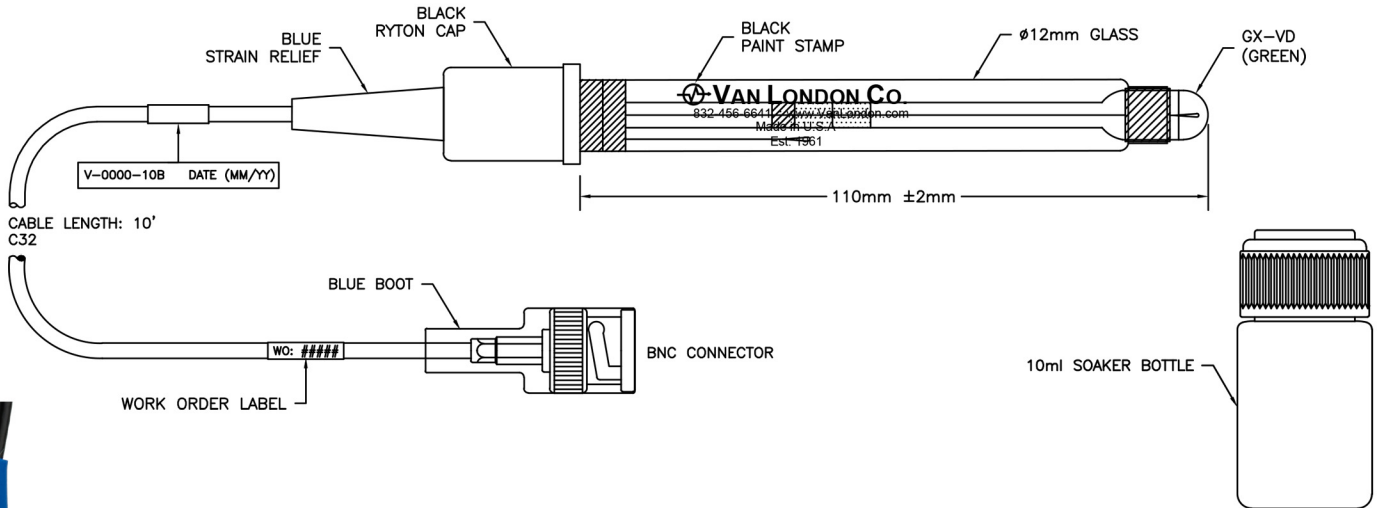




Van London Co.

AN **Alpha** MEASUREMENT SOLUTIONS COMPANY

V-0000-10 B



SPECIFICATION

pH RANGE	pH 0 TO 14 pH
SLOPE (pH 7 TO pH 4 BUFFER)	165 TO 180 mV (93 TO 102%) AT 25°C
OFFSET (IN pH 7 BUFFER)	0 mV ±30 mV AT 25°C
ACCURACY	±0.03 pH UNIT
RESPONSE TIME	±0.1 pH UNIT IN 30 SECONDS AT 25°C
OPERATING TEMPERATURE RANGE	-5 TO 100°C
OPERATING PRESSURE RANGE	0 TO 100 psi AT 25°C
REFERENCE JUNCTION RESISTANCE	<50 KOHM AT 25°C
pH GLASS RESISTANCE	<200 MOHM AT 25°C
GLASS TYPE	GX-V DOME
REFERENCE JUNCTION/TYPE	ANNULAR CERAMIC/SEALED
TEMPERATURE COMPENSATION (T.C.)	N/A
pH/REF SHIPPING CAP	10ml SOAKER BOTTLE
SHIPPING CAP SOLUTION	4M KCL/pH 4 BUFFER (50/50)