

VAN LONDON  
Est. 1961



pHoenix Co.

*"When Accuracy Matters"*

# Twist-Lock™

## pH /ORP/Conductivity

Pressure Rating: 150 PSI

Temperature Range: 130 °C (266 °F)

Process Connections: ½", ¾", 1" and 1½"

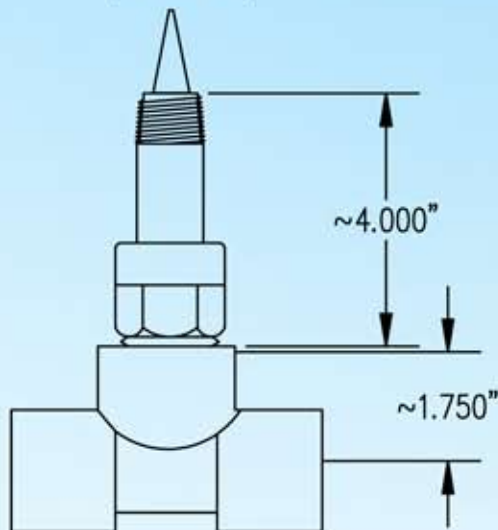
Conduit Connection: ¾" MPT

O-Ring Seals: Viton® (standard)

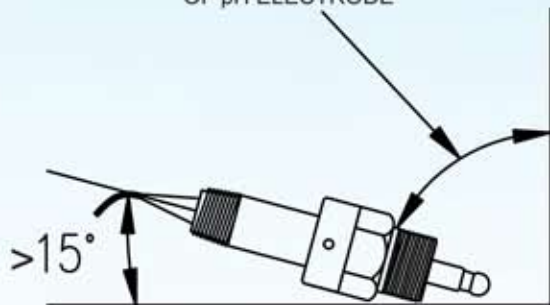
pH Range: 0-14

Housing Material: Ryton®

TWIST-LOCK™ SERIES  
(INSTALLED)

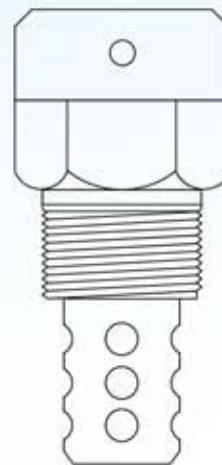


RECOMMENDED RANGE  
FOR INSTALLATION  
OF pH ELECTRODE



- **Low Cost Replacements**  
Long-lasting, reliable, and low in cost for pH and ORP sensors. Twist-Lock™ housing design allows for an all-in-one electrode or sensor replacement to reduce inventory requirements.
- **Safe Operation**  
A stop pin is installed in the adapters for positive electrode/sensor positioning; locking pins on the housing are visible through an opening 90° from the removal slots to assure correct installation.
- **Housing Features**  
¼ turn is all that is required for installation. The housing is ribbed for easy handling.
- **O-ring Arrangement**  
Dual external o-rings and an internal o-ring seal the electrode from any process leakage.
- **Quality "Built In"**  
All parts meet strict, documented quality specifications, followed through each step of the manufacturing process.
- **Solid Polymer Reference**  
Cross Linked Polymer for extended life in hot harsh applications.
- **GXV**  
Low impedance ruggedized membrane fast response +0-14pH range.
- **Multiple Sensor Options available**

Optional Guarded Twist-Lock™  
Adapter



Van Londen-pHoenix Co.  
6103 Glenmont Drive  
Houston, Texas 77081  
Local: (713) 772-6641  
Toll Free: (800) 522-7920  
Web: [www.VL-PC.com](http://www.VL-PC.com)  
e-mail: [info@vl-pc.com](mailto:info@vl-pc.com)



**We Speak English, Spanish & Vietnamese**

Twist-Lock is a trademark of Van Londen-pHoenix Co.  
Ryton is a registered trademark of Phillips 66 Company LP  
Viton is a registered trademark of E.I. DuPont de Nemours and Company Corporation