



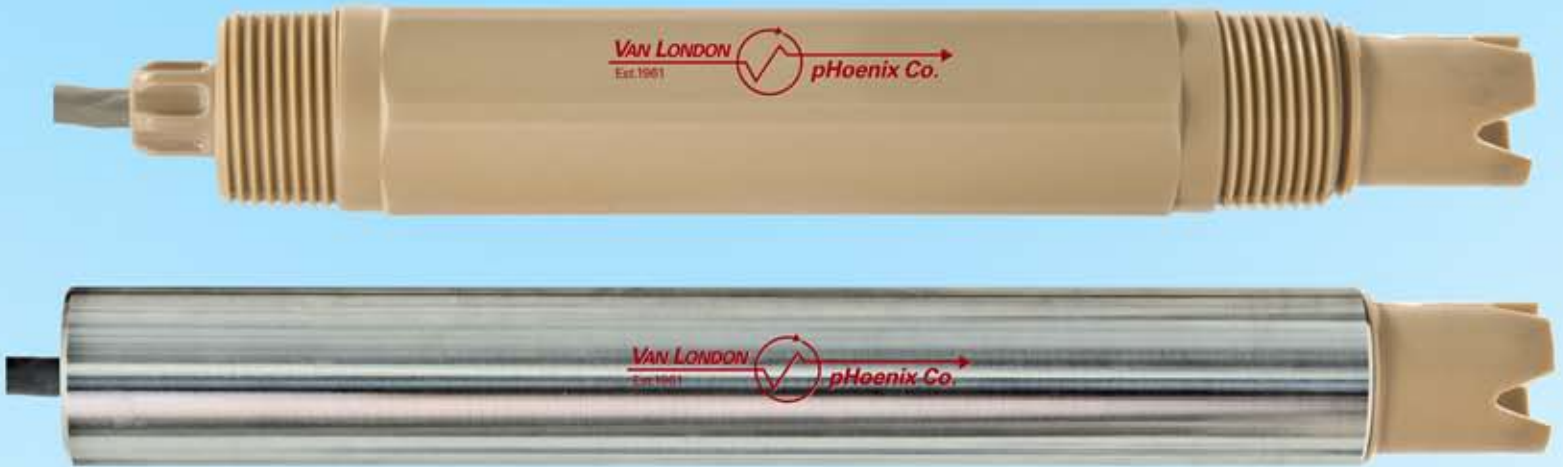
VAN LONDON
Est. 1961



pHoenix Co.

"When Accuracy Matters"

Differential Series pH/ORP Sensors



The Differential Series pH/ORP sensors are designed for use with most commercially available analyzers. The reference element is a second glass pH electrode immersed in a reference buffer solution. This glass reference system allows the sensor to be used in applications that poison conventional pH or ORP sensors. The sensors are classified as either Universal or Loop-Powered, depending on the output selected. The Universal sensors emulate standard, non-amplified combination sensors and are designed to interface with virtually all pH/ORP analyzers. The sensors require no power supply as the preamplifier is powered by an internal lithium battery. The pH sensor outputs a mV signal in the range of -500 to +500 mV, linear over the 0 to 14 pH range. The ORP sensor outputs a mV signal that ranges from -1000 to +1000 mV. The Loop-Powered sensors require an external 7-30 VDC power supply and provide a 4-20 mA output signal for direct connection to generic panel meters, data acquisition systems, or other devices that accept a current input. The sensor includes integral temperature compensation of the pH signal, so no temperature output is provided. The sensor output is uncalibrated, therefore, the receiving instrument must be capable of providing user calibration of the pH or ORP signal on a periodic basis.

Differential Series VL22 pH/ORP Sensor Specifications:

Measuring Range: 0 to 14 pH; -1000 mV to +1000 mV ORP

Temperature Compensation: Pt1000 or Pt100 RTD

Temperature Range: -5 to 95°C (23 to 203°F)

Pressure Range: 0 to 100 PSIG

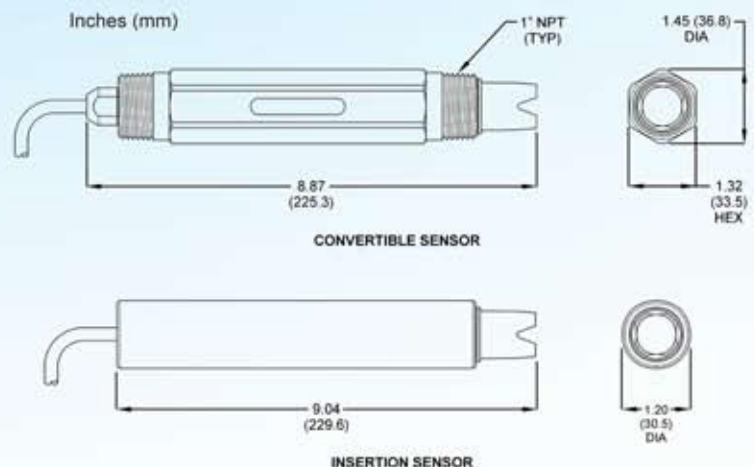
Max. Flow Rate: 10 feet (3 meters) per second

Max. Sensor to Analyzer Distance: 3000 feet (914 meters) for

Universal and 1000 feet (305 meters) for Loop-Powered

Sensor Body Options: 1" NPT convertible or 1 1/4" insertion

Wetted Materials: PEEK, ceramic, titanium, glass, Viton®, EPDM, Platinum, and Stainless Steel with insertion body styles



Van London-pHoenix Co.
6103 Glenmont Drive
Houston, Texas 77081
Local: (713) 772-6641
Toll Free: (800) 522-7920
Web: www.VL-PC.com
e-mail: info@VL-PC.com



Viton is a registered trademark of E.I. DuPont de Nemours and Company Corporation.

We Speak English, Spanish & Vietnamese