

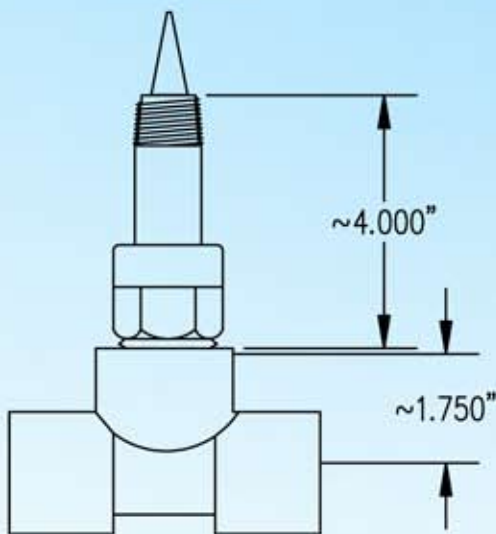
*"When Accuracy Matters"*

# Twist-Lock™

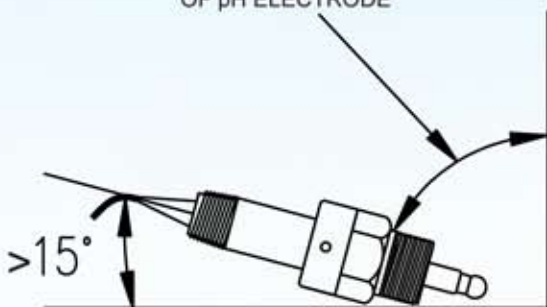
## pH / ORP / Conductivity

Pressure Rating: 150 PSI  
 Temperature Range: 130°C (266°F)  
 Process Connections: ½", ¾", 1" and 1½"  
 Conduit Connection: ¾" MPT  
 O-Ring Seals: Viton™ (standard)  
 pH Range: 0-14  
 Housing Material: Ryton™

TWIST-LOCK™ SERIES  
(INSTALLED)

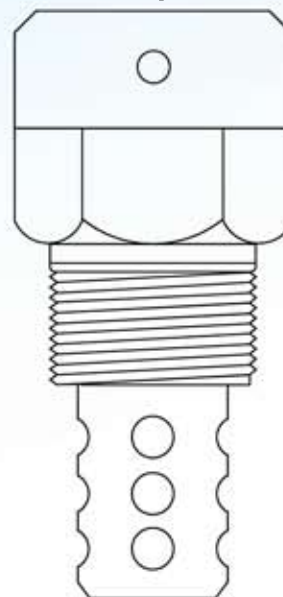


RECOMMENDED RANGE  
FOR INSTALLATION  
OF pH ELECTRODE



- **Low Cost Replacements**  
Long-lasting, reliable, and low in cost for pH and ORP sensors. Twist-Lock™ housing design allows for an all-in-one electrode or sensor replacement to reduce inventory requirements.
- **Safe Operation**  
A stop pin is installed in the adapters for positive electrode/sensor positioning; locking pins on the housing are visible through an opening 90° from the removal slots to assure correct installation.
- **Housing Features**  
¼ turn is all that is required for installation. The housing is ribbed for easy handling.
- **O-ring Arrangement**  
Dual external o-rings and an internal o-ring seal the electrode from any process leakage.
- **Quality "Built In"**  
All parts meet strict, documented quality specifications, followed through each step of the manufacturing process.
- **Solid Polymer Reference**  
Cross Linked Polymer for extended life in hot harsh applications.
- **GXV**  
Low impedance ruggedized membrane fast response +0-14pH range.
- **Multiple Sensor Options available**

Optional Guarded Twist-Lock™  
Adapter



**Van London-pHoenix Co.**  
 6103 Glenmont Drive  
 Houston, Texas 77081  
 Local: (713) 772-6641  
 Toll Free: (800) 522-7920  
 Web: [www.VL-PC.com](http://www.VL-PC.com)  
 e-mail: [info@vl-pc.com](mailto:info@vl-pc.com)



**We Speak Spanish & Vietnamese**

SPR is a trademark of Van London-Phoenix Co.  
 Ryton is a trademark of Phillips 66 Company.  
 Teflon and Viton are both trademarks of E. I. du Pont de Nemours & Co.