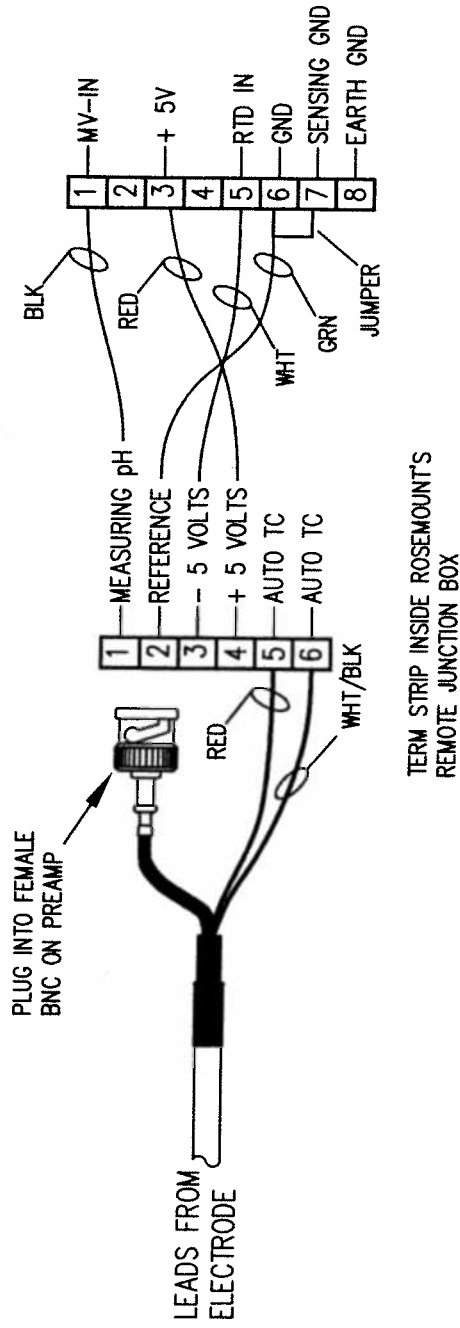


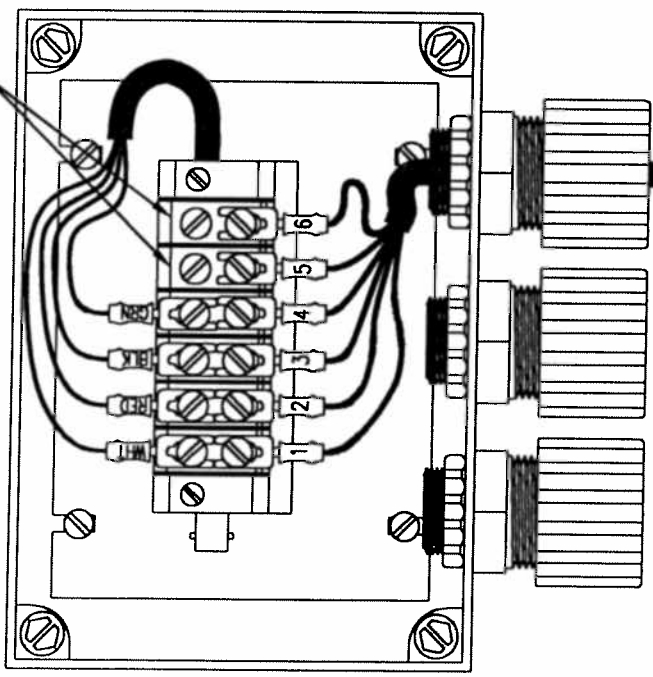
2054APH WITH REMOTE PREAMP WIRING DIAGRAMS

pH ELECTRODE WITH TEMP. COMP.



P/N 2011281

TEMP. COMP. LEADS
FROM ELECTRODE
(OPTIONAL)



WIRING CONNECTIONS

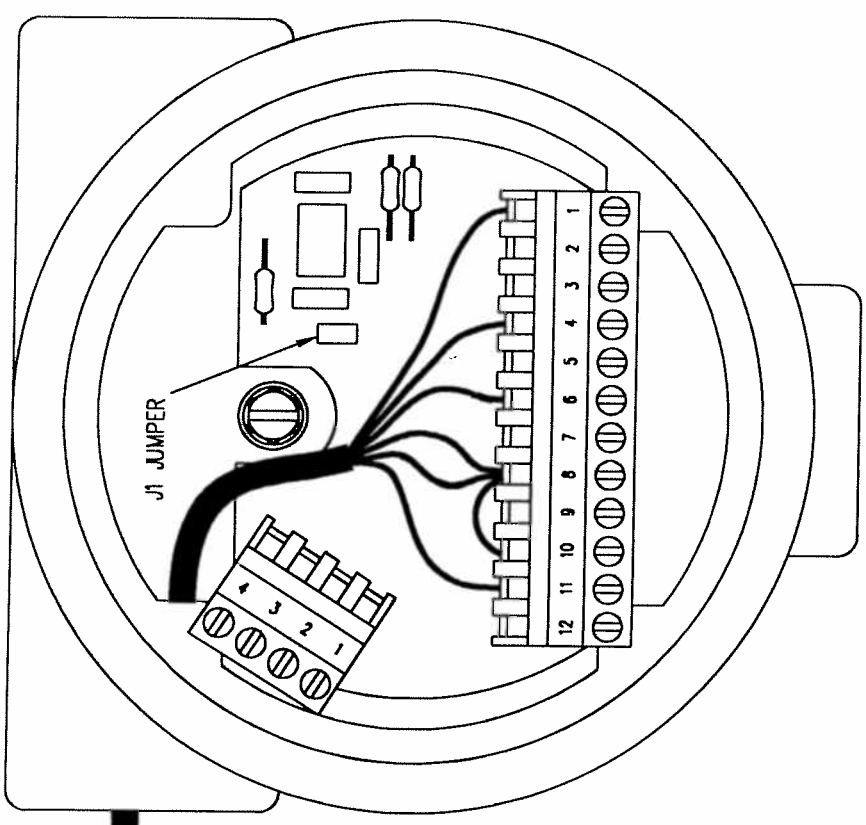
J-BOX TERM STRIP 2081 TERM STRIP

- TERMINAL 1 - pH SIGNAL (WHITE) → TERMINAL 1
- TERMINAL 2 - REFERENCE (RED) → TERMINAL 8
- TERMINAL 3 - (-) 1.35VDC (BLACK) → TERMINAL 11
- TERMINAL 4 - (+) 5VDC (GREEN) → TERMINAL 4
- TERMINAL 5 - TEMP. COMP. (RED) → TERMINAL 6
- TERMINAL 6 - TEMP. COMP. (WHITE) → TERMINAL 8

JUMPER TERMINAL 8 & 10

- NOTE 1: IF AUTOMATIC TEMP. COMP. IS NOT USED, AFFIX A 110 OHM RESISTOR ACROSS 2081PH TERMS 8 & 10
- NOTE 2: A JUMPER J1 INSIDE THE 2081 MUST BE ON
- NOTE 3: IF MORE INFORMATION IS NEEDED, CONTACT THE VAN LONDON TECHNICAL DEPARTMENT AT 1-800-231-6069
- NOTE 4: REPLACEMENT PREAMP P/N 2010281

ROSEMOUNT 2081PH



DRAWN	JF	DATE	2/96
CHECKED	2011281A	REVISION	
APPROVED			
SCALE	NONE		



VAN LONDON CO. INC.
HOUSTON, TEXAS

P/N 2011281
WIRED TO 2081PH