

WELD-IN SOCKETS

2/07



6103 GLENMONT • HOUSTON, TEXAS • 77081
800/522-7920 • FAX 713/772-4671 • 713/772-6641
www.VL-PC.com

25MM WELD-IN SOCKETS AND ACCESSORIES

SPECIFICATION

THREADED WELD-IN SOCKET

Adapter with 15° chamfer, made of 316L stainless steel

PN	Lmm	Wmm
M050026-40	40	3-8
M050026-48	48	8-16
M050026-55	55	16-22

BLIND PLUG

With 15° chamfer, for tight closing of the weld-in socket with 15° chamfer

PN	Lmm
M050027-40	40
M050027-48	48
M050027-55	55

Used with O-Ring PN 22082210

THREADED STRIGHT WELD-IN SOCKET

Straight socket made of 316L stainless steel

PN	Lmm	Wmm
M050028-40	40	6-13
M050028-50	50	13-16
M050028-60	60	16-25

STRAIGHT BLIND PLUG

For straight threaded socket, made of 316L stainless steel

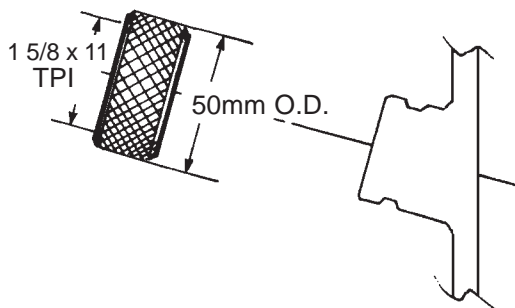
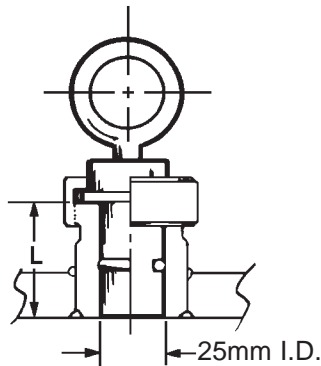
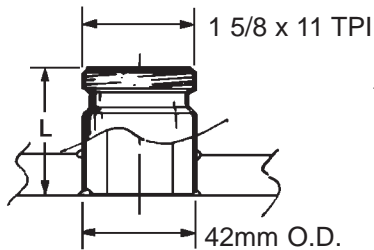
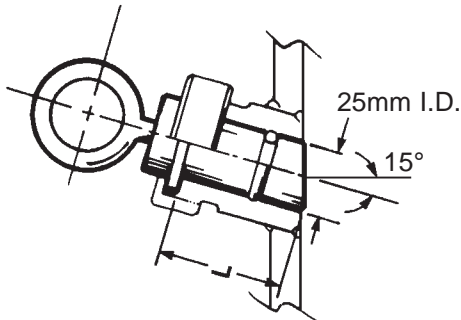
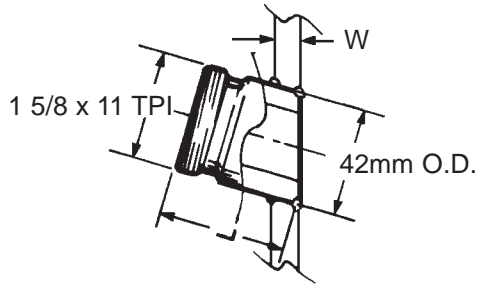
PN	Lmm
M050029-30	30
M050029-40	40
M050029-50	50
M050029-60	60

Used with O-Ring PN 22082210

COLLAR NUT

316L stainless steel, threaded collar nut

PN	Description
M050052	Used with all 25mm Weld-In Sockets



Weld-In Sockets and Accessories

19MM WELD-IN SOCKETS AND ACCESSORIES

SPECIFICATION

THREADED WELD-IN SOCKET

316L stainless steel adapter with a 15° chamfer

PN	Lmm	Wmm
M050030-40	40	3-8
M050030-48	48	8-16
M050030-55	55	16-22

BLIND PLUG

A tight closing, 15° chamfer used in the 15° chamfer weld-in socket

PN	Lmm
M050031-40	40
M050031-48	48
M050031-55	55

Used with O-Ring PN 22082210

THREADED STRIGHT WELD-IN SOCKET

316L stainless steel straight socket

PN	Lmm	Wmm
M050032-40	40	6-13
M050032-50	50	13-16
M050032-60	60	16-25

STRAIGHT BLIND PLUG

316L stainless steel straight threaded socket

PN	Lmm
M050033-40	40
M050033-48	48
M050033-55	55

Used with O-Ring PN 22082210

COLLAR NUT

316L stainless steel, threaded collar nut

PN	Description
M050050	Used with all 19mm Weld-In Sockets

